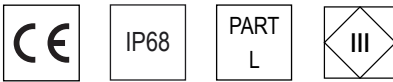
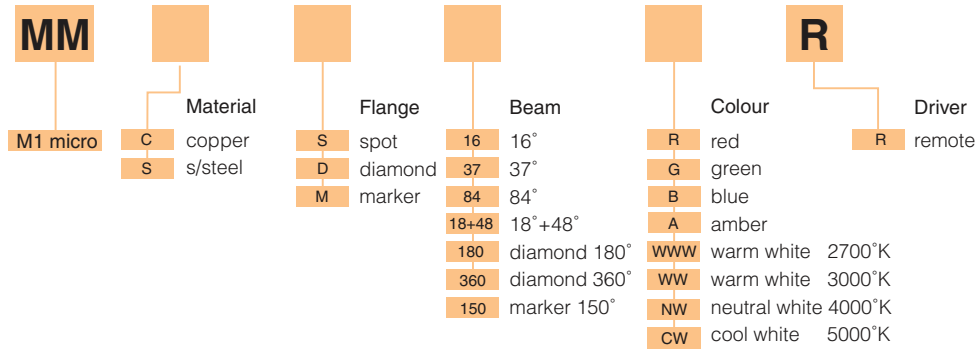


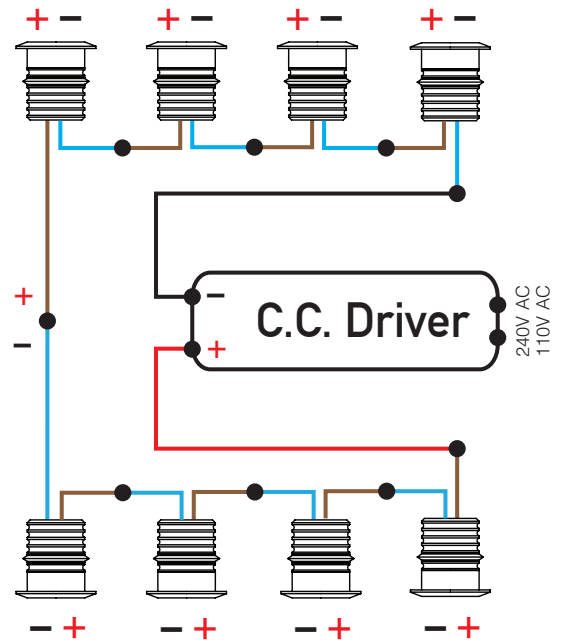
CONFIGURE THIS PRODUCT



SPECIFICATIONS

Power	up to 1 Watt , 60mA - 360mA
Ingress Protection Rating	IP68
Cable	H05RN - F 1/2 m included
Material	316 Stainless Steel , Copper
Flange	Spotlight Diamond perpendicular distribution Marker diffuse perpendicular distribution
Removable Light Engine	Pin mounted 1W Cree XTE Chip
Colour Temperature	Warm White 2700°K Warm White 3000°K Neutral White 4000°K Cool White 5000°K Red, Green, Blue, Amber
CRI	Ra 85
Efficacy	55 Lm/W (Spotlight version)
Spotlight Optic Degrees	16° , 37° , 84° , 18°+ 48° oval
Input Current	60 - 360mA
Warranty	LED Warranty 5 years Body Warranty 10 years
Driver	Remote only

INSTALLATION FOR REMOTE DRIVER WIRED IN SERIES



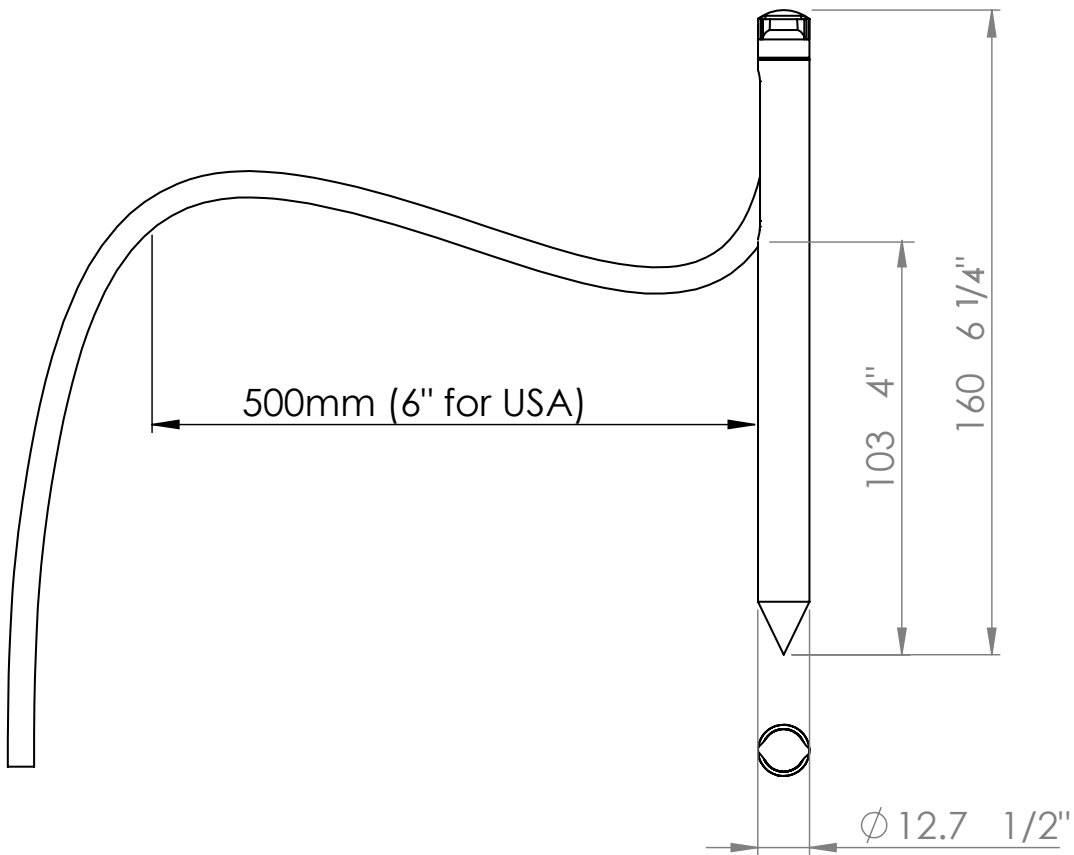
INSTALLATION INSTRUCTIONS

Connect in series. IP68 connector recommended. Never switch the output of a constant current driver. Driver must be switched off when connecting LED's to prevent damage.

PRODUCT NOTES

Discrete miniature lighting of the highest quality. Precise two step LED binning by Cree allows LuxR products to be situated close to one another ensure the same colour temperature without fear of any variance in colour.

DIAMOND DIMENSIONS Available in Spot, 180° or 360° aperture



MARKER DIMENSIONS

